



LEFROY BROOKS

1 8 2 8 T R O U T M A N S T R E E T
R I D G E W O O D N E W Y O R K N Y 1 1 3 8 5 U S A
T : + 1 (7 1 8) 3 0 2 5 2 9 2 F : + 1 (7 1 8) 3 0 2 4 1 7 7

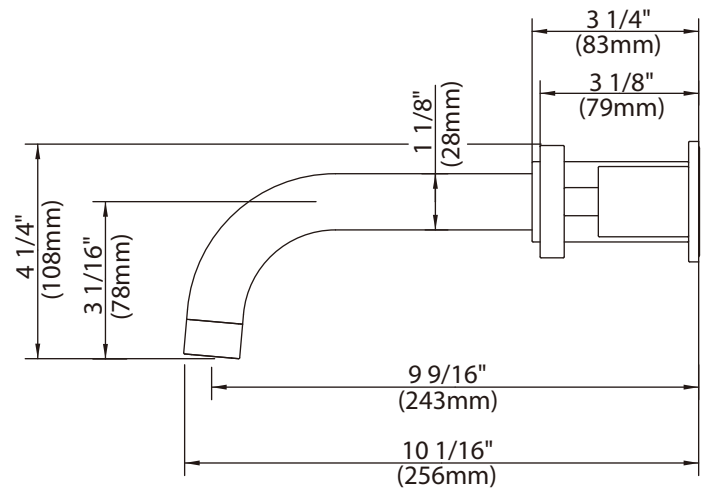
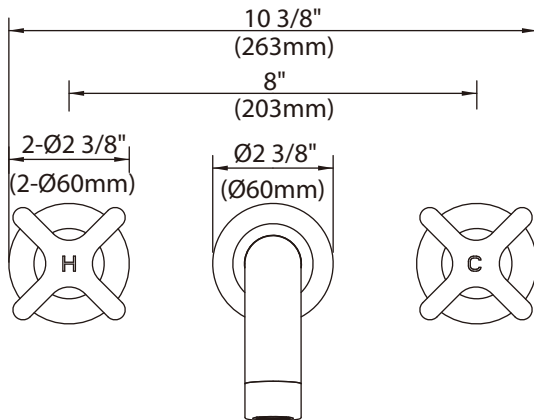
K1-2400

CROSS HANDLE WALL-MOUNTED, 3-HOLE BATH FILLER TRIM ONLY, TO SUIT R1-4017 ROUGH

DIMENSIONAL DATA SHEET

DATE: 09 January 2013

No: A66F395



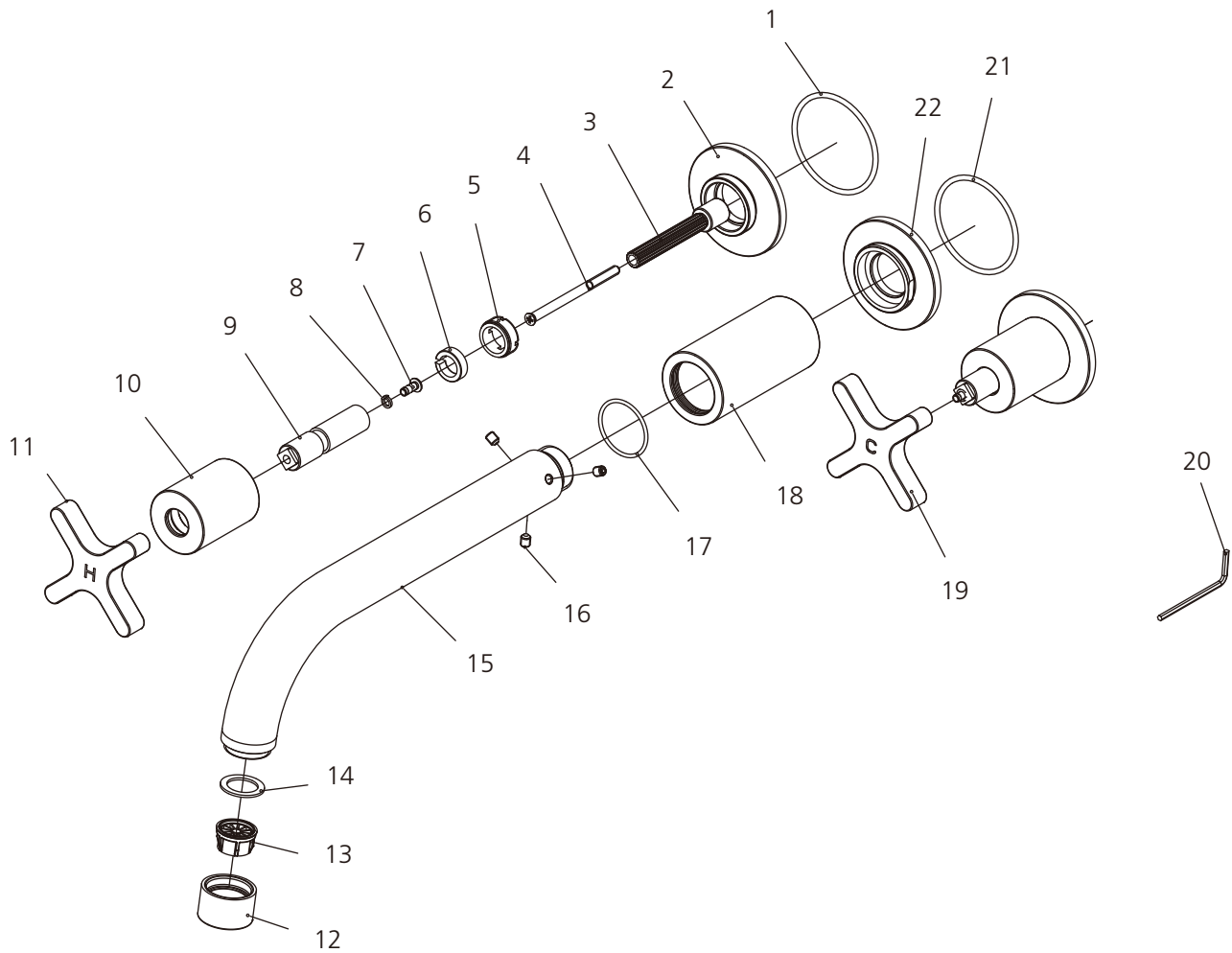
COPYRIGHT © LBP LTD 2012. ALL RIGHTS RESERVED.

DIMENSIONS IN INCHES & MILLIMETRES

WHILST EVERY EFFORT IS MADE TO ENSURE THE ACCURACY OF THESE DATA SHEETS THEY ARE SUBJECT TO CHANGE WITHOUT NOTICE AS PART OF THE COMPANY'S PRODUCT DEVELOPMENT PROCESS

K1-2400

CROSS HANDLE WALL-MOUNTED, 3-HOLE BATH FILLER TRIM ONLY, TO SUIT R1-4017 ROUGH



1	O-ring (048062)	9	Stem extension (110005)	17	O-ring (048029N)
2	Escutcheon (071344)	10	Canopy (018438)	18	Canopy (000133)
3	Stem extension (110332)	11	Handle (H) (069688H)	19	Handle (C) (069688C)
4	Screw (008766)	12	Aerator housing (305781)	20	Allen key (031000)
5	Adaptor (057507)	13	Aerator insert (114237R)	21	O-ring (004567)
6	Clip (012242)	14	Oil-seal (010899)	22	Escutcheon (303081)
7	Screw (008154)	15	Spout assembly (139075)		
8	Washer (013570)	16	Set screw (075038)		

Standards

IAPMO/cUPC Listed
Meets A112.18.1

Please note :

Final achievable flow rate is dependent on the outlets fitted, see relevant outlets (spouts, roses, sprays) for fully assembled product flow rate.